



# KuDymond

## HIGH EFFICIENCY POLY MODULE

### CS3U-350 | 355 | 360 | 365P-FG

#### MORE POWER



Low power loss in cell connection



Low NMOT:  $42 \pm 3 \text{ }^\circ\text{C}$   
Low temperature coefficient (Pmax):  $-0.37 \text{ \% / }^\circ\text{C}$



Better shading tolerance

#### MORE RELIABLE



Lower hot spot temperature



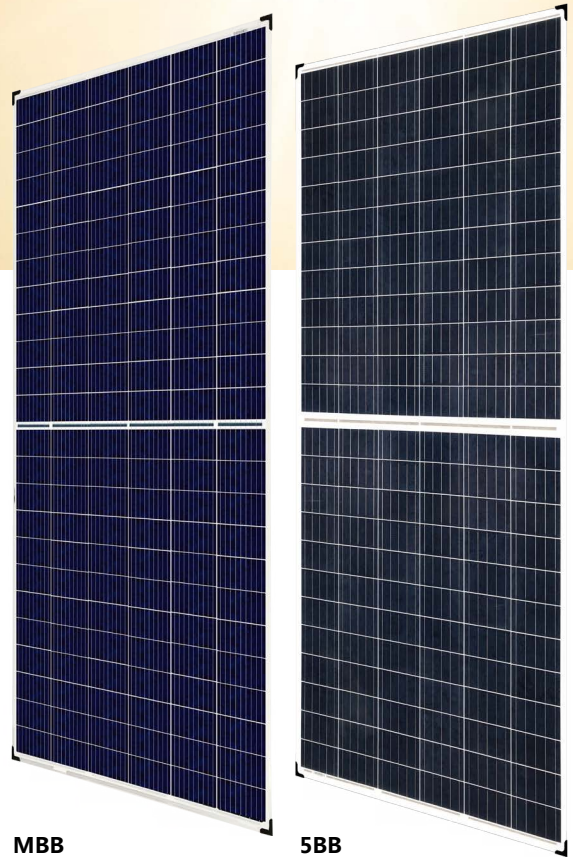
Minimizes micro-cracks



Heavy snow load up to 5400 Pa,  
wind load up to 2400 Pa



Fire Class A and Type 3 / Type 13 certified  
according to IEC 61730-2 / MST 23 and UL 1703



MBB

5BB

\*Transparent doubleglass module can be provided upon request.



linear power output warranty



product warranty on materials and workmanship

#### MANAGEMENT SYSTEM CERTIFICATES

ISO 9001:2008 / Quality management system  
ISO 14001:2004 / Standards for environmental management system  
OHSAS 18001:2007 / International standards for occupational health & safety

#### PRODUCT CERTIFICATES\*

IEC 61215 / IEC 61730: VDE / CE / CEC AU  
UL 1703: CSA / IEC61701 ED2: VDE / IEC62716: VDE  
Take-e-way

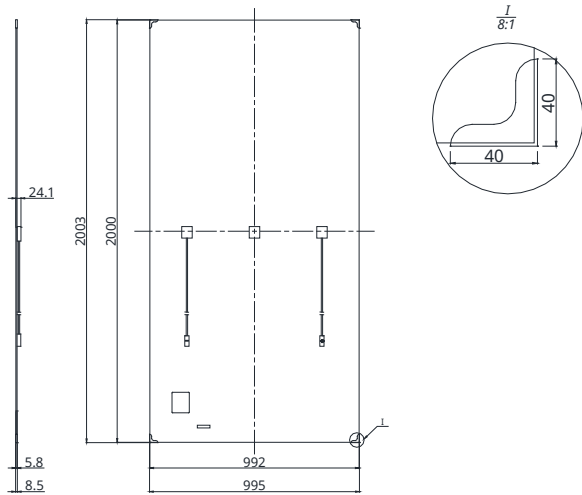


\*We can provide this product with special BOM specifically certified with salt mist, ammonia and sand blowing tests. Please talk to our local technical sales representatives to get your customized solutions.

**CANADIAN SOLAR INC.** is committed to providing high quality solar products, solar system solutions and services to customers around the world. No. 1 module supplier for quality and performance/price ratio in IHS Module Customer Insight Survey. As a leading PV project developer and manufacturer of solar modules with over 30 GW deployed around the world since 2001.

## ENGINEERING DRAWING (mm)

### Rear View



### ELECTRICAL DATA | STC\*

CS3U	350P-FG	355P-FG	360P-FG	365P-FG
Nominal Max. Power (Pmax)	350 W	355 W	360 W	365 W
Opt. Operating Voltage (Vmp)	39.2 V	39.4 V	39.6 V	39.8 V
Opt. Operating Current (Imp)	8.94 A	9.02 A	9.10 A	9.18 A
Open Circuit Voltage (Voc)	46.6 V	46.8 V	47.0 V	47.2 V
Short Circuit Current (Isc)	9.51 A	9.59 A	9.67 A	9.75 A
Module Efficiency	17.64%	17.89%	18.15%	18.40%
Operating Temperature	-40°C ~ +85°C			
Max. System Voltage	1500V (IEC) or 1000V (IEC/UL)			
Module Fire Performance	TYPE 3 / Type 13 (UL 1703) or CLASS A (IEC61730)			
Max. Series Fuse Rating	30 A			
Application Classification	Class A			
Power Tolerance	0 ~ + 5 W			

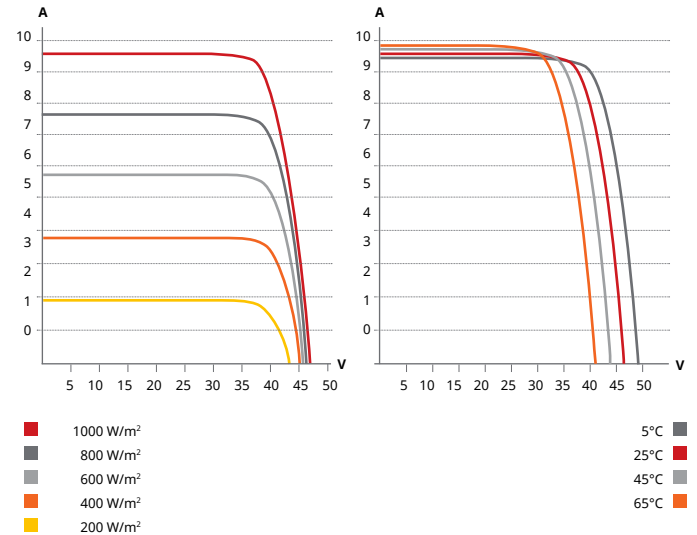
\* Under Standard Test Conditions (STC) of irradiance of 1000 W/m<sup>2</sup>, spectrum AM 1.5 and cell temperature of 25°C.

### ELECTRICAL DATA | NMOT\*

CS3U	350P-FG	355P-FG	360P-FG	365P-FG
Nominal Max. Power (Pmax)	260 W	264 W	268 W	271 W
Opt. Operating Voltage (Vmp)	36.2 V	36.4 V	36.6 V	36.8 V
Opt. Operating Current (Imp)	7.18 A	7.25 A	7.31 A	7.38 A
Open Circuit Voltage (Voc)	43.7 V	43.9 V	44.1 V	44.3 V
Short Circuit Current (Isc)	7.67 A	7.74 A	7.80 A	7.87 A

\* Under Nominal Module Operating Temperature (NMOT), irradiance of 800 W/m<sup>2</sup>, spectrum AM 1.5, ambient temperature 20°C, wind speed 1 m/s.

## CS3U-355P-FG / I-V CURVES



### MECHANICAL DATA

Specification	Data
Cell Type	Poly-crystalline
Cell Arrangement	144 [2 x (12 x 6)]
Dimensions	2000 X 992 X 5.8 mm (78.7 X 39.1 X 0.23 in) without J-Box and corner protector
(Incl. corner protector)	2003 X 995 X 8.5 mm (78.9 X 39.2 X 0.33 in) without J-Box
Weight	29 kg (63.9 lbs)
Front / Back Glass	2.5 mm heat strengthened glass
Frame	Frameless
J-Box	IP68, 3 bypass diodes
Cable	4 mm <sup>2</sup> (IEC), 12 AWG (UL)
Cable Length (Including Connector)	Portrait: 400 mm (15.7 in) (+) / 280 mm (11.0 in) (-); landscape: 1250 mm (49.2 in); leap-frog connection: 1670 mm (65.7 in)*
Connector	T4 series
Per Pallet	30 pieces
Per Container (40' HQ)	660 pieces

\* For detailed information, please contact your local Canadian Solar sales and technical representatives.

### TEMPERATURE CHARACTERISTICS

Specification	Data
Temperature Coefficient (Pmax)	-0.37 % / °C
Temperature Coefficient (Voc)	-0.29 % / °C
Temperature Coefficient (Isc)	0.05 % / °C
Nominal Module Operating Temperature	42 ± 3°C

### PARTNER SECTION



\* The specifications and key features contained in this datasheet may deviate slightly from our actual products due to the on-going innovation and product enhancement. Canadian Solar Inc. reserves the right to make necessary adjustment to the information described herein at any time without further notice.

## CANADIAN SOLAR INC.

545 Speedvale Avenue West, Guelph, Ontario N1K 1E6, Canada, [www.canadiansolar.com](http://www.canadiansolar.com), [support@canadiansolar.com](mailto:support@canadiansolar.com)